



# Simplos

Modular shelving for picking





Modular Simplos shelving is a multi-purpose storage solution for: small-sized equipment or businesses, up to the most complex industrial installations.

**Simplos modular shelving is the best solution for all types of manually handled light and medium item storage.**

Their improved design is a major step up from basic metallic shelves, besting issues like higher load capacity, reduced bolt usage, and real-time freedom to change shelf levels.

This system comprises a range of accessories, such as drawers, dividers, doors, hanging file frames, garment rails, countertops, etc., which allow the creation of infinite storage possibilities. Its basic components assemble together to provide high-strength, rigid modular shelving.



# Advantages

Affordable shelves that seamlessly combine aesthetics and functionality, adapting to any space and product

1

## Space savings

Simplos shelving offers convenient high-capacity storage. Its modular flexibility, range of add-ons and diverse shelf sizes provide optimised product slotting.

2

## Versatility

- **Adjustable shelves:** shelf panels inserted into each level can be adjusted an unlimited number of times, without any tools.
- **Set up your system with various add-ons** (side panels, drawers, doors, etc.), to create multiple design variants that adapt to different load types and weights.
- **High load capacity.** The model with galvanised sheet metal shelves holds up to 280 kg of load per level.
- **Scalable:** extend your units in height, length and width.
- **Combinable:** designed to easily combine with other hand-pick system or those to store pallets.
- **Their professional look** means they are highly-suited to any setting: industrial, office, retail, etc.



3

## Time savings

Since each shelf level can be adapted to the product it is meant to store, this dramatically streamlines hand-pick tasks.

Additionally, its quick, easy assembly and reconfiguration are tremendous time savers.

5

## Safety

Mecalux puts all materials, components and accessories of the Simplos picking shelves through strict quality tests and trials. By doing so, and despite their apparent simplicity, they include diverse components designed to make them highly-safe for the personnel that work in your installation, for the shelves and the goods they hold.

4

## The Mecalux Guarantee

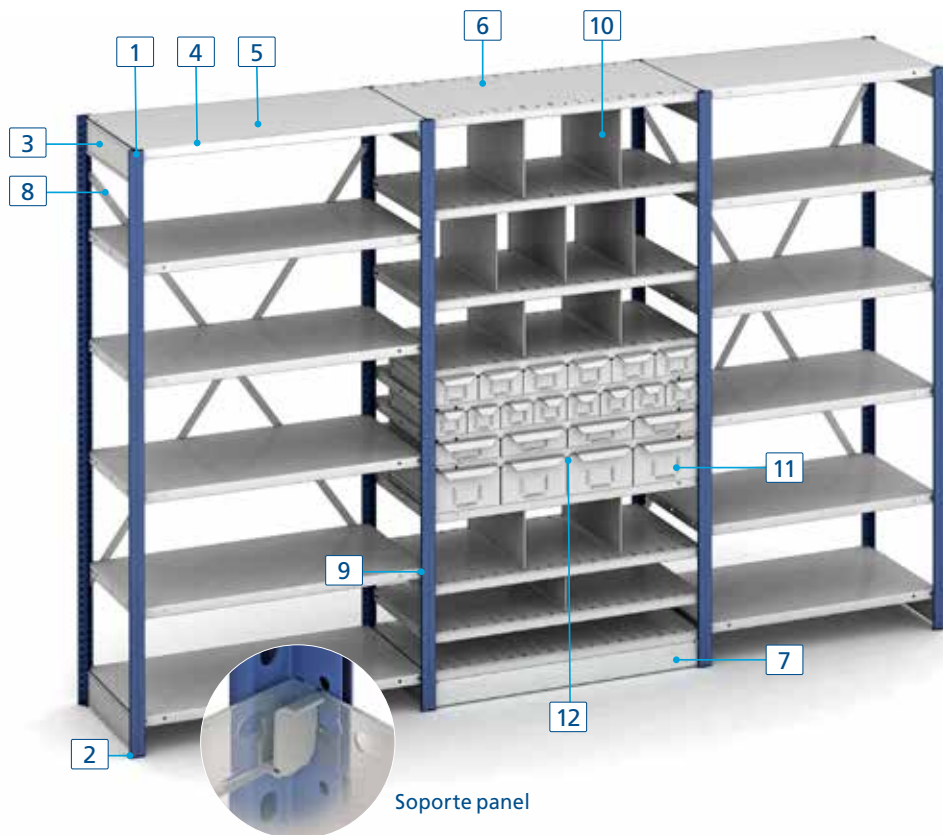
Simplos modular shelving fulfil the standards related to metal storage racks, while also ensuring the quality of steel used and the finish of all components, providing the shelf a long service life.

All components go through tests and quality controls to guarantee a simple, safe assembly, as well as to make sure the unit is stable and rigid with all its parts perfectly assembled.



# Components

A universal manual storage system



## Components

1. Upright
2. Footplate
3. Cross-tie
4. Beam
5. Shelf
6. Slotted shelf
7. Plinth
8. Bracing
9. Shelf support clip
10. PR Divider
11. Drawers
12. Drawer guides



## Uprights

These are the vertical load-bearing parts of the shelf. Simpos uprights are closed T-shaped profiles with slots every 25 mm down the sides, for easy insertion of shelves and other accessories. Their maximum height can be up to 12 m, manufactured in lengths of 50 mm.

If you need a taller model, two uprights can be spliced together, or we can make you a made-to-measure module. The system comes in two

finishes: galvanised or RAL 5003 blue (cataphoresis paint process).

## Footplates

These parts go on the bottoms of the uprights, giving the shelving units floor support. Double or single metallic models are available. One footplate or another is used, depending on the load it needs to support, as well as the need to anchor the upright to the floor, or not.

## Beams

These rolled profiles have built-in hooks on each end. The hooks are inserted into the slots on the uprights and support the MS Shelves, increasing its loads capacity. When cross bracing and back panels are not used, the fitting of shelf beams will provide greater rigidity.





## Shelves

Thanks to its single-piece manufacturing, these shelves are especially suited to holding medium to heavy loads. Made of galvanised Sendzimir sheet metal, they have a multi-folded design with a RAL 7035 Grey finish. They are available in either smooth or slotted variations for the placement of vertical dividers.

Moreover, these shelves have label channels that run down the front for placing cardholders.

Two types of shelves are available:



### MS Shelves

These metallic, rectangular shelves have variable sizes, lengths and widths, and are 35 mm high. They click into 4 supports on the uprights, or rest directly on the beam or plinth, boosting the load capacity considerably, which can be up to 225 kg per shelf.

### HM Shelves

These 0.7 mm thick panels, made of high-strength galvanised sheet metal, are folded 26 times during the manufacturing process. Attach them to the shelf uprights with 4 shelf supports. They can be reinforced and have a load capacity of up to 280 kg per shelf.



## Cross-ties

Cross-ties provide the crosswise stability the shelves need. These rectangular steel pieces come in variable lengths and are 120 mm high. Bolts are used to attach them to the uprights. They are available in a galvanised Sendzimir finish.



## Shelf support clip

Each shelf rests on four support clips joined to the upright.

# Accessories

Multiple accessories for any product type



## Dividers

These rectangular metal panels are used to divide shelf levels into different compartments. Each has pivots on the corners, which slide into the slots of the shelf panels. Dividers slot separately and can be moved freely to a more suitable position. Both their height and length come into play. They are manufactured with a galvanised Sendzimir finish.



## Garment rail set

Designed to hang garments or to hold cylinders or odd-shaped items. Each rail is attached to the uprights by two supports and without any extra accessory needed for its assembly. It adjusts to 500 and 600 mm deep shelves, and 900, 1,000 and 1,200 mm long units.



## Plinth

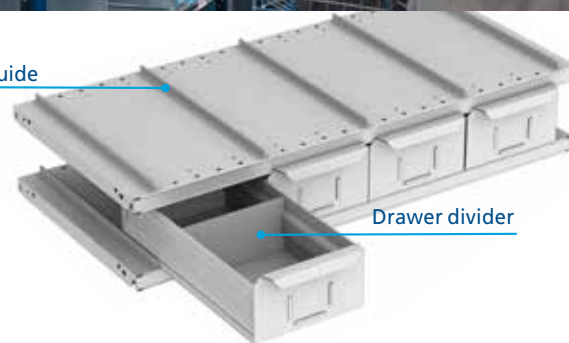
These rolled profiles are specially designed to be placed at the base of the shelf. They prevent dirt from accumulating, bring stability to the unit and help give it a nice finish.

## Splice unions

PS splice unions fit onto the tops of the uprights to extend the shelf.



Drawer guide



## Drawers

These seamless, boltless rectangular totes are made from galvanised sheet metal, making them ideal for sorting small-sized materials.

Drawer fronts are equipped with moulded handles and slots to insert labels. The backside includes stops to avoid the drawer from falling out when opened. Its sides are slotted every 50 mm to place optional drawer dividers. They come in 4 sizes:

- 200 mm x 110 mm
- 200 mm x 70 mm
- 134 mm x 70 mm
- 100 mm x 70 mm

In all these cases, they can be either 300, 400 or 500 mm deep.

**Drawer guides.** These guides made of plastic are inserted directly into the lower panel to guide the drawers.

**Drawer dividers.** These galvanised sheet metal pieces are used to obtain different volume spaces inside the same drawer. Dividers are fully removable and do not need any extra accessories.



# Applications

Large-sized installations to small shops that need shelves with drawers



Simplos modular shelving and the large number of accessories in this system (drawers, dividers, side panels, file shelves and hangers, etc.) open up a wide possibility of applications: from a small-side operation or retail setting, up to more complex industrial warehouses.

The possibility of enabling gangways and stairs increases its range of applications, since two or more storey installations can be set up, making full use of the available storage space. Minimum recommended height is 2.50 m.

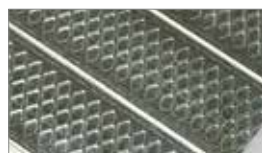
These gangways offer the potential to install diverse types of decking, such as chipboard or perforated metal. Decking facilitates the integration of this system in certain environments such as a warehouse intended for order preparation tasks.



Chipboard



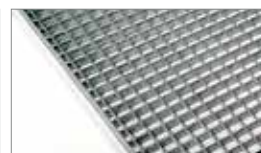
Melamine chipboard



Corrugated metal



Perforated metal



Open grate mesh



e-mail: [paha@mecalux.com](mailto:paha@mecalux.com) - [mecalux.cz](http://mecalux.cz)

---

**MECALUX ČESKÁ REPUBLIKA, S.R.O.**

**PRAHA**

**tel.: (+420) 222 524 240**

Jankovcova 1595/14 - 170 00 Praha 7

---

**Mecalux má zastoupení ve více než 70 zemích celého světa**

**Zastoupení:** Argentina - Belgie - Brazílie - Česko - Chile - Francie - Itálie - Kanada - Kolumbie - Mexiko - Německo  
Nizozemí - Peru - Polsko - Portugalsko - Slovensko - Španělsko - Spojené Království - Turecko - Uruguay - USA

